

LED Vanity Light

VL63336
INSTALLATION SHEET

START FROM HERE

- Make sure power is completely off at the fuse box.
- Have your fixture installed by a qualified licensed electrician
- Prepare everything in a clear area.
- Wear gloves at all times during this installation.
- Read instructions carefully before you start assembly.
- Keep this instruction sheet for future reference.

Technical Support: 1-855-855-8926

Please Note:

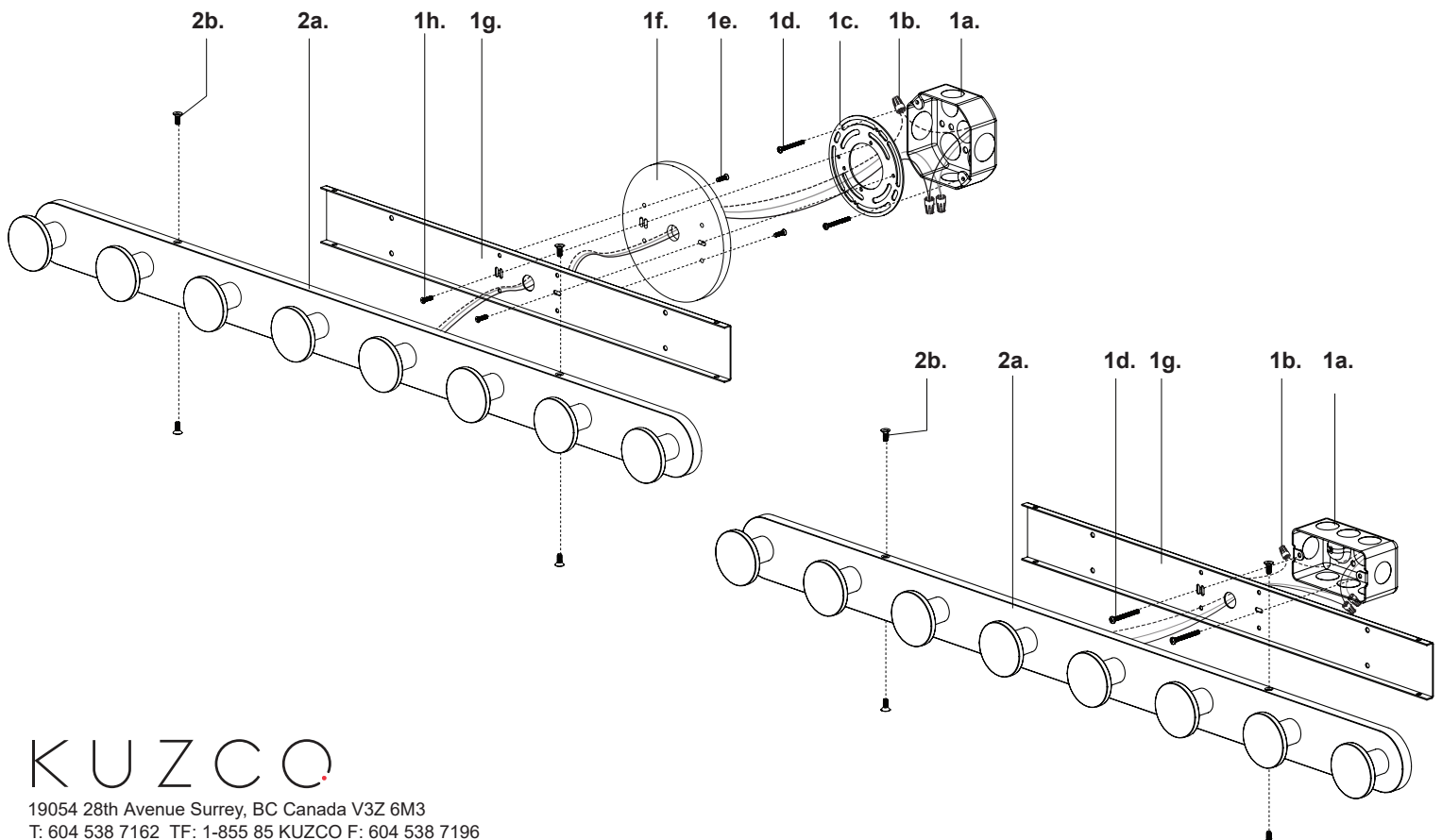
- This Kuzco LED fixture comes with pre-wired LED module(s)
- Unless instructed, Do Not touch any part of the LED module(s) as any unnecessary contact with the module could cause permanent damage
- For dimming, an ELV (Electronic Low Voltage) type of dimmer is required
- 120V input

(Octagon junction box install)

- 1.** Remove the fixture from its original packaging. Next, remove the mounting plate (**1g**) from the fixture (**2a**) by removing fixture screws (**2b**)
- 2.** Secure the universal mounting plate (**1c**) to the electrical junction box (**1a**) with junction box screws (**1d**) provided in the hardware package. Secure backplate (**1f**) to mounting plate (**1g**) with screws (**1e**). Attach backplate (**1f**) and mounting plate (**1g**) assembly to universal mounting plate (**1c**) with screws (**1h**)
- 3.** Make proper electrical connections (**black to hot "L"**, **white to neutral "N"**, **ground to "GND"**) with wire nuts (**1b**) provided in hardware package
- 4.** Attach the fixture (**2a**) to mounting plate (**1g**) and secure with fixture screws (**2b**)

(Single gang box install)

- 1.** Remove the fixture from its original packaging. Next, remove the mounting plate (**1g**) from the fixture (**2a**) by removing fixture screws (**2b**)
- 2.** Secure the mounting plate (**1g**) to the electrical junction box (**1a**) with junction box screws (**1d**) provided in the hardware package
- 3.** Make proper electrical connections (**black to hot "L"**, **white to neutral "N"**, **ground to "GND"**) with wire nuts (**1b**) provided in hardware package
- 4.** Attach the fixture (**2a**) to the mounting plate (**1g**) and secure with fixture screws (**2b**)



KUZCO

19054 28th Avenue Surrey, BC Canada V3Z 6M3
T: 604 538 7162 TF: 1-855 85 KUZCO F: 604 538 7196
W: kuzcolighting.com
20210401